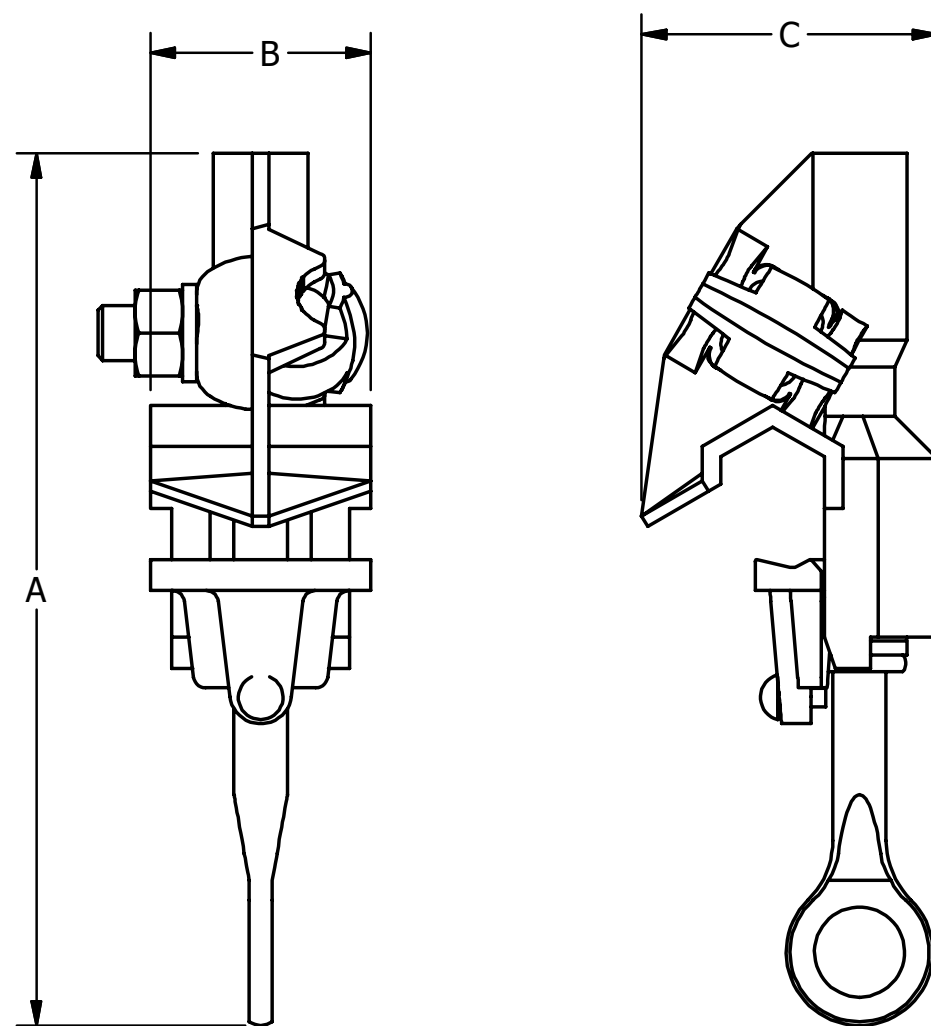
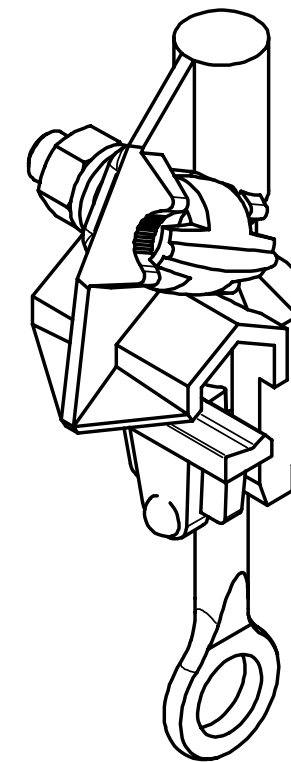


CAT. NO.	RUN	TAP	A	B	C	TAP NUT	FINISH
HLA-400	#6 ACSR - 400MCM	#6 SOL - 4/0 STR	6.50 [165]	1.75 [44]	2.50 [64]	3/4	--
HLA-400I							--
HLA-400T							TIN-PLATED
HLA-400TI							
HLA-800	4/0 ACSR - 800MCM	#4 SOL - 350MCM		2.00 [51]	3.00 [76]		--
HLA-800I							--
HLA-800T							TIN-PLATED
HLA-800TI							



MATERIAL: ALUMINUM
 RUN CONNECTION - ALUMINUM
 TAP CONNECTION - ALUM. OR COPPER

					TO ORDER CMC PRODUCTS CALL 1-513-860-4455	DRAWN BY: TS 09-12-19	NAME OF PART: HOT LINE CLAMPS	CAT. NO.: SEE TABLE
					FOR PRODUCT INFO: http://www.cmclugs.com	CHECKED BY:	DWG NO: C58701762-S (CHARTED)	A
A	NEW DRAWING CREATED		09-12-19	TS		DRAWING NOT TO SCALE		SHEET NO: 1 OF 1
REV.	DESCRIPTION	ECN	DATE	INIT.				

